

MILDef AS

FSI / Håkonsvern January 2020

Your number one choice for rugged electronics within the defense sector

Worldwide locations



MilDef Inc
Los Angeles, USA



MilDef Ltd
Cardiff, UK



MilDef AS
Oslo, Norway



MilDef Group AB
MilDef Products AB
MilDef AB
Helsingborg, Sweden



MilDef AB
Stockholm, Sweden



MilDef Crete Inc
Taipei, Taiwan

Swedish product company.
Founded in 1997.
Headquarters in Helsingborg.



- 90+ Employees
- 330M SEK Turnover
- Design and manufacture ruggedized electronics

Mobile Computers



Fully customizable, fully rugged laptops, tablets & handhelds.

- Customized solutions
- **Ground Army EMC**
- Encryption
- TEMPEST
- Long term obsolescence support

Small form factor



The **19"/2 form factor** enables modular design with standardized mounting methods.

- Computers & Servers
- Switches
- Routers
- Power products
- Customized solutions

Intelligent Displays



The MDU concept is a customizable range of rugged **display modules and backboxes**.

- Displays
- Zero Client
- Panel PC

Special Electronics



Rugged computers and electronics designed to customer specifications

- **Docking stations**
- Radio gateways
- Disc Clone Station
- Battery Pack
- Etc.

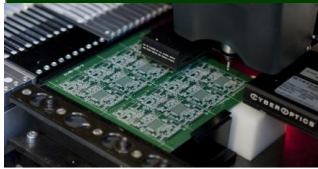
Tracking Solutions



Blue forces beyond line of sight satellite asset tracking systems based on **Iridium satellite tracking**.

- Handheld devices
- Cargo tracking
- Mobile App
- Tactical Platform
- Etc.

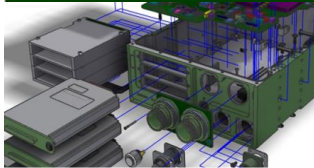
Concept



Concept design for new product including proof of concept for new products

- Simplified design
- Concept Data Sheet
- Cost Calculation

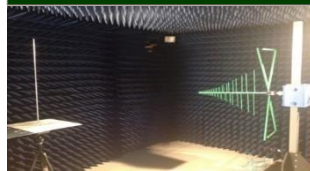
Design & Development



Products are design in-house ground up, rapid development for customized units etc

- Electronic design
- Mechanical design
- Project Mgmt.
- SW development
- Prototyping facility

Test & verification



Fully automated product testing procedures & on site environmental test facility

- EMC
- Temperature/humidity
- IP test
- Vibration & shock
- Drop test
- MIL-STD-1275

Manufacture



State of the art manufacturing facilities in Taipei and Helsingborg

- High volume manufacture
- Fully ESD protected
- SMT lines (Taipei)
- PCB and motherboard manufacture (Taipei)
- Skilled FQC Department

Support



Long products lifecycle & through-life support. For, fit and function replacement products

- 6 months EOL notice
- 5 year spare parts
- 5+ years life cycle
- 10+ years product life
- Local service facilities
- Extended warranty

DM8 and DR10 to DT13



DM8 and DR10 to DT13



DM8 (2008)



DR10 (2013)



DT13 (2019)



BMS Docking station (2008)
Same Form, fit and function

CV-90



Delivering rugged **IT infrastructure** ranging from computers, switches, KVM switches, power, and more, to **highly digitized fighting platforms**



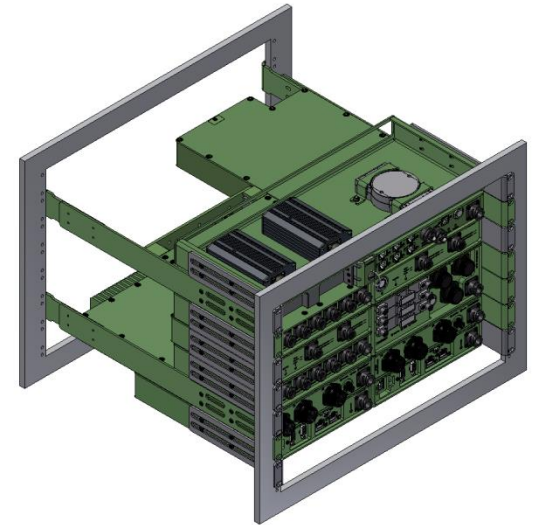
NM-198



Delivering rugged **IT infrastructure** ranging from computers, switches, KVM switches, power, and more, to highly digitized **Command post vehicles**



SB 90



Your number one choice for rugged electronics within the defense sector

Arnstein Langnes
Key Account Manager

Arnstein.langnes@mildef.com

+47 907 86 830

www.mildef.com

